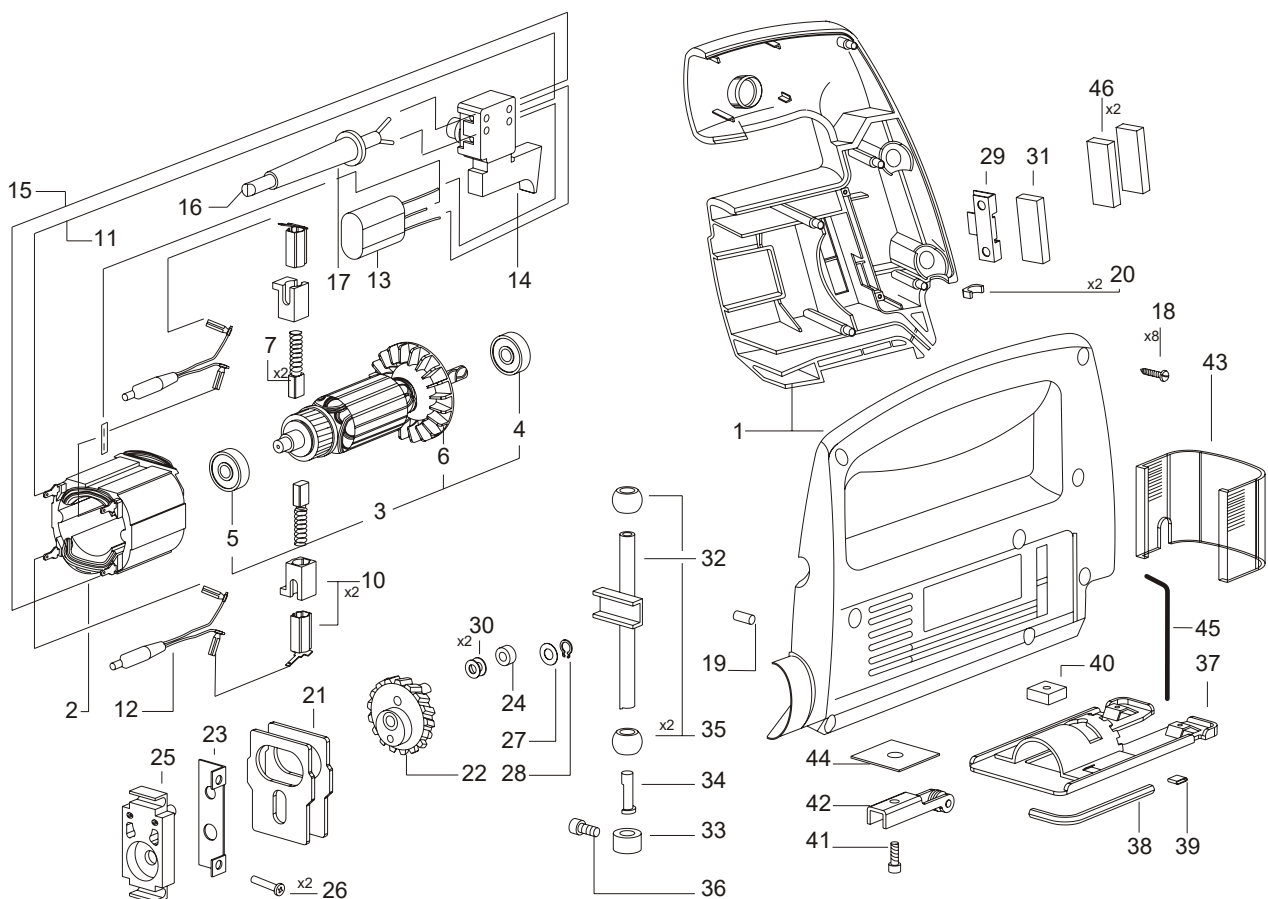


POS. No.	Ref.No.	Description
1	121288	Casing set
2	119669	Stator set
3	127342	Armature set
4	330308	Bearing 6082ZP63LDS18
5	330287	Bearing 627-2ZP6LDS18
6	126243	Fan
7	154138	Brush with a switch
7	154137	Brush
10	126918	Brush holder set
11	116728	Outlet
12	116547	Choke
13	152856	Capacitor
14	173403	Switch Defond SR26
15	118918	Outlet
16	116549	Cord with a plug
17	206687	Cord protector
18	361328	Screw K4x18 TORX 20
19	272960	Claming pin
20	116697	Gasket
21	116689	Counterweight plates
22	116690	Gear set
23	117714	Panel
24	116710	Bearing

POS. No.	Ref.No.	Description
25	116685	Bearing shield
26	361407	Screw K5X30 TORX 20
27	116510	Spacer washer
28	330219	Circlip 6X0,7
29	117595	Plate
30	115871	Spacer washer
31	117977	Gasket
32	120914	Piston
33	116695	Locking bush
34	119975	Insert
35	116709	Bearing
36	300699	Screw
37	117056	Base plate
38	606738	Spanner 4
39	354019	PVC pipe
40	116698	Nut
41	360408	Screw M5X10/8.8
42	116699	Support roller
43	116701	Screen
44	123897	Insulation
45	152207	Pin from 01.05.2001
46	152234	Gasket from 01.05.2001



125971

174259